

Data sheet: V2.2

Afri-post Specifications

General description

ArcelorMittal South Africa, Vereeniging Steel produces a range of hot-rolled fencing profiles. Fencing profiles are rolled to the approximate dimensions shown.

The SP mill in Pretoria is ideal for the rolling of complex steel profiles. It is equipped with a re-heating furnace, in line roughing mill, cross-country finishing mill and cooling bank. The finishing area is equipped with cold saws, straightening machines and painting facilities.

Chemical composition

Fencing profiles are hot-rolled from a grade of steel suitable for the intended end use.

Corrosion protection

In order to supply a cost effective product a low cost paint (coal tar - naphthalene solution) is applied to fencing standards only to render a presentable product without guarantee that it will last for a prolonged period, especially when used in corrosive conditions such as damp areas. The process and paint quality cannot guarantee that surface rust and scratch marks will not occur during handling, installation and use.

Quality assurance

Quality assurance systems in use at the works are based on the requirements of SANS ISO 9001: 2008.

Supply conditions

Fencing posts and droppers are supplied in terms of Mittal Steel South Africa's price list number S04 and the general conditions of sale.

Dimensions

The following fencing profiles are available from Mittal Steel South Africa. Dimensions are in mm.

Afri-Post (K-Post)

Pattern

"Ø"-Profile with ribs on the centre leg and holes in the back to accommodate wire spacing as per SANS 280: 1970 – "Hole location in fencing posts and droppers".

For further information, contact:

ArcelorMittal South Africa Limited, Vereeniging Works, PO Box 48, Vereeniging 1930. Tel (016) 440 3691 Fax (016) 440 3743
e-mail address: enquiries.vereeniging@arcelormittal.com

Care has been taken to ensure that the information in this data sheet is accurate. ArcelorMittal South Africa Limited does not, however, assume responsibility for any inaccuracies or misinterpretations of this data. We are continuously engaged in product development and revised data sheets will be issued from time to time. Please ensure that you have the most recent issue. **Effective date: December 2011**

Available Sizes and Lengths

Profile	Fencing posts
Holes	Yes
Standard lengths (mm)	1 800 2 400

* Unpainted products on enquiry

Units per 1000kg	
Length (mm)	"Ψ"-profile 1.8 kg/m
1800	309
2400	231

Mass (average)

1.80 kg/m

Ordering lengths

1.800m and 2.400m (refer to SPE 45 for detail)

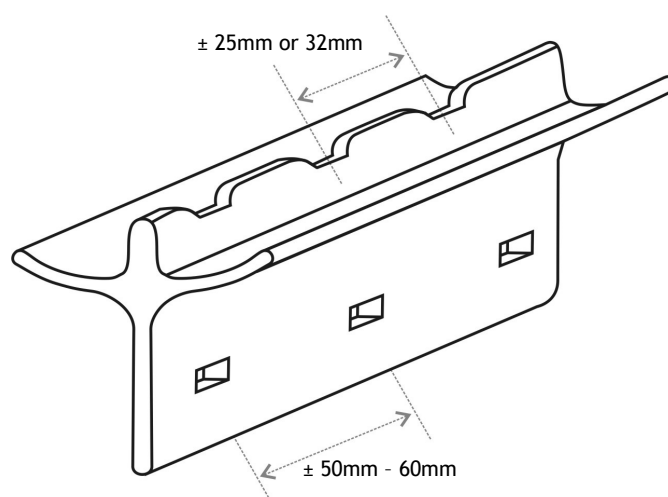
Bundle size

Approximate 100 units/pack. Packs consist of 10 x 10 sub-bundles and are wire bound by hand.

Afri-post

Height: 38mm

Width: 39mm



Use

Support and secure line wires between anchor posts/ poles. Recommended for small stock and low cost domestic fences only.

Installation method

1. Installation, following the contour as per Fig 4.1(p11) in: *Heinings, Hoofstuk 16.1 - Plaasheinings, Nasionale Grondbewaringshandleiding.*
2. These fencing posts are not recommended when the lacing/stringing installation method (wire through the holes) is used. Due to the hot rolling process, burrs are formed in and around the holes resulting in the galvanising being stripped from the wires.
3. Not suitable for use as anchor or straining posts.

Straightness

Material will be supplied un-straightened with straight cut ends on both ends. A commercial straightness tolerance of 5mm maximum deviation over 1 metre will apply.

For further information, contact:

ArcelorMittal South Africa Limited, Vereeniging Works, PO Box 48, Vereeniging 1930. Tel (016) 440 3691 Fax (016) 440 3743 e-mail address: enquiries.vereeniging@arcelormittal.com

Care has been taken to ensure that the information in this data sheet is accurate. ArcelorMittal South Africa Limited does not, however, assume responsibility for any inaccuracies or misinterpretations of this data. We are continuously engaged in product development and revised data sheets will be issued from time to time. Please ensure that you have the most recent issue. Effective date: December 2011